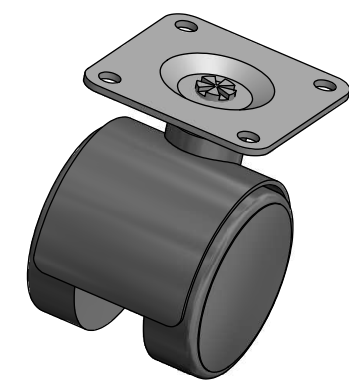
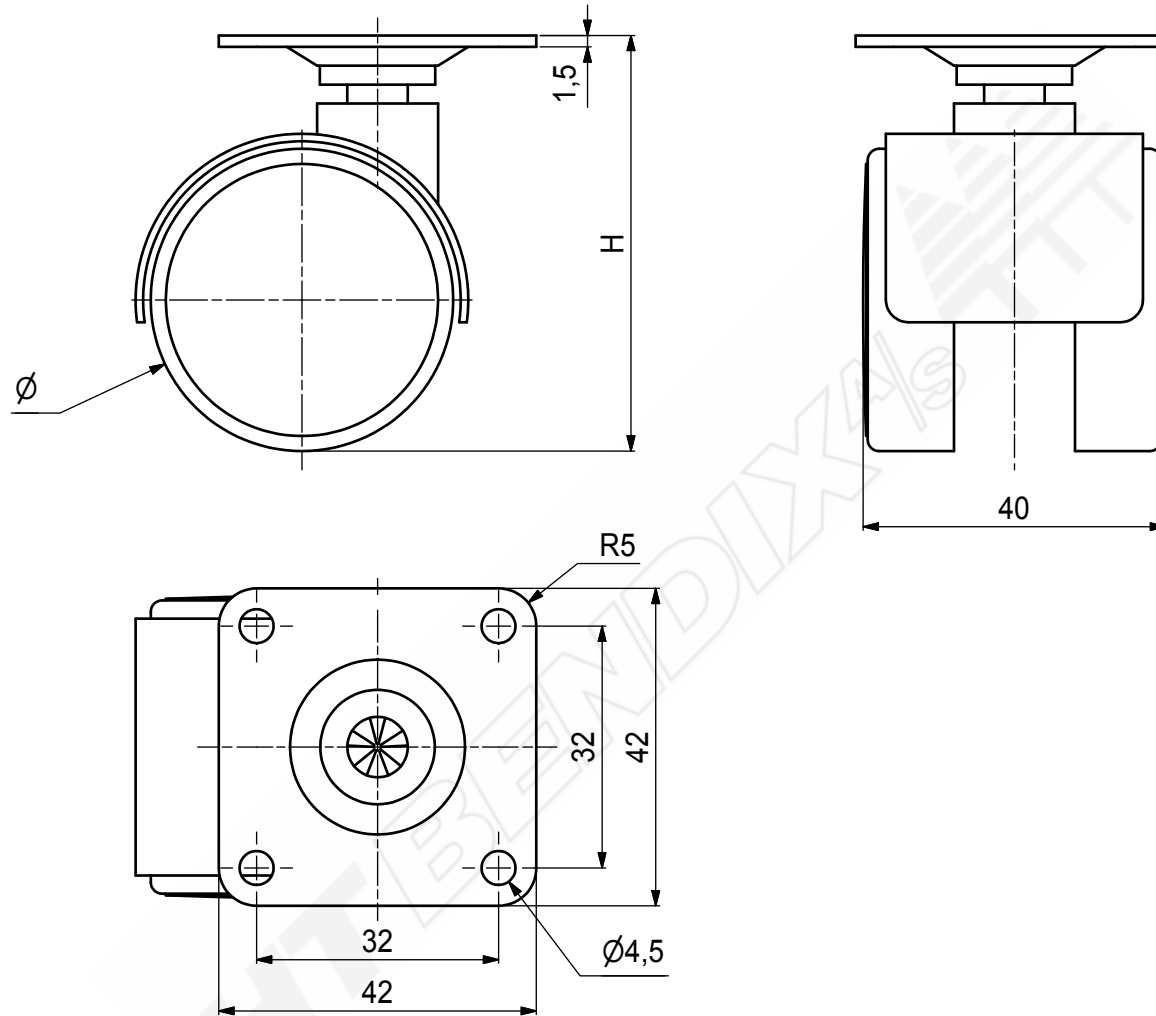

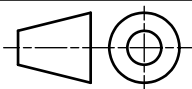


Item no.	Ø	H
309333	40	55

**General tolerances:**  
 Unless otherwise stated  
 according to  
**ISO 2768-1 class m**



	Item: <b>Castor</b>		Ref.: April	 Projection Units: mm	
	Material: <b>Plastic/steel</b>		Page 1/1		
	Surface finish: <b>Black /zinc plated</b>		Creation date: 2014-9-14	Last changed:	Drawing no. <b>73-00</b>

This drawing belongs to HT BENDIX A/S and is not allowed to be copied, partly copied, reproduced or assigned without written approval from HT BENDIX A/S. - HT Bendix A/S accept no liability for the consequences of errors in this drawing.